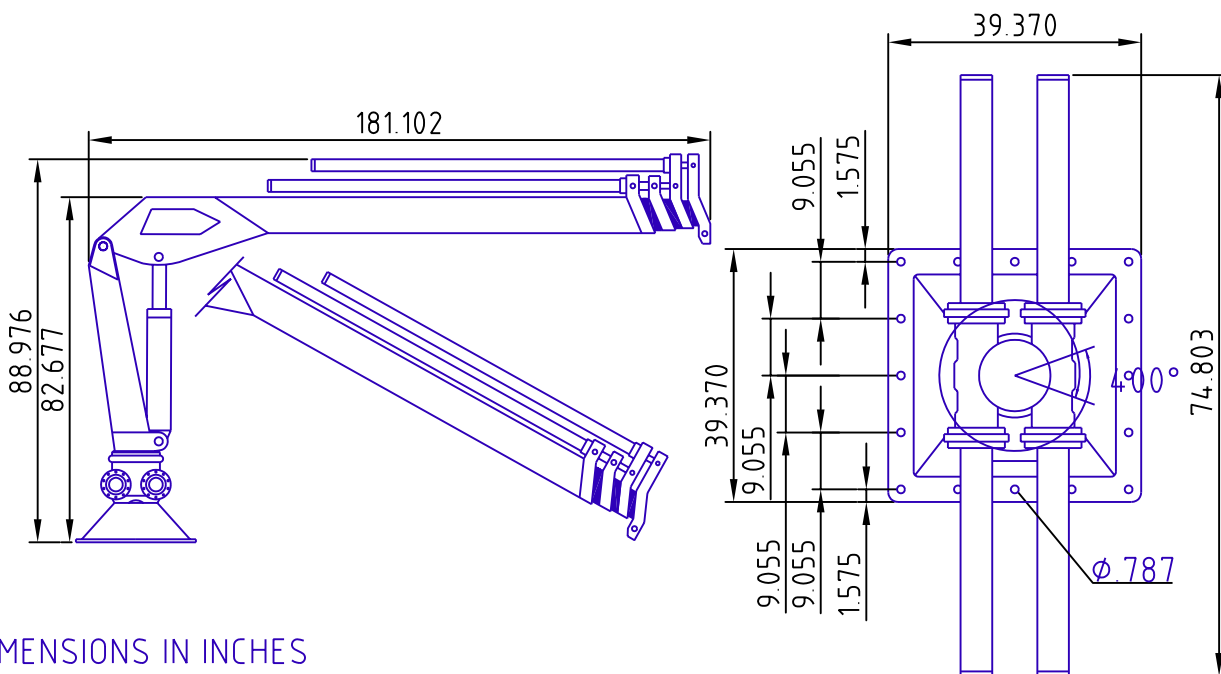


EQUIPMENT & SERVICES INTERNATIONAL, LLC.

5810 POST RD.
EAST GREENWICH, RI 02818
Ph: +1-401-884-2893 - Fx: +1-884-1260
WWW.ESILLC.CC - e-mail: SALES@ESILLC.CC



TECHNICAL DATA	T-8000MT
MAXIMUM LIFTING MOMENT	57,830 FT-LBS.
MAXIMUM REACH	T-8000MT/1 - 18.63 FT.
	T-8000MT/2 - 24.47 FT.
	T-8000MT/3 - 30.50 FT.
MAXIMUM BOOM ANGLE	80°
SLEWING ANGLE	400°
SLEWING TORQUE	1,680 FT-LBS
WORKING PRESSURE	2650 PSI
MAXIMUM FLOW	6.6 GPM
GROSS WEIGHT	T-8000MT/1 - 2,340 LBS.
	T-8000MT/2 - 2560 LBS.
	T-8000MT/3 - 2760 LBS.
OPTIONS - MANUAL EXTENSIONS - HYDRAULIC WINCHES - 3300 LBS. - MULTI-PART SHEAVE - PROPORTIONAL ELECTRIC CONTROLS	



DIMENSIONS IN INCHES